

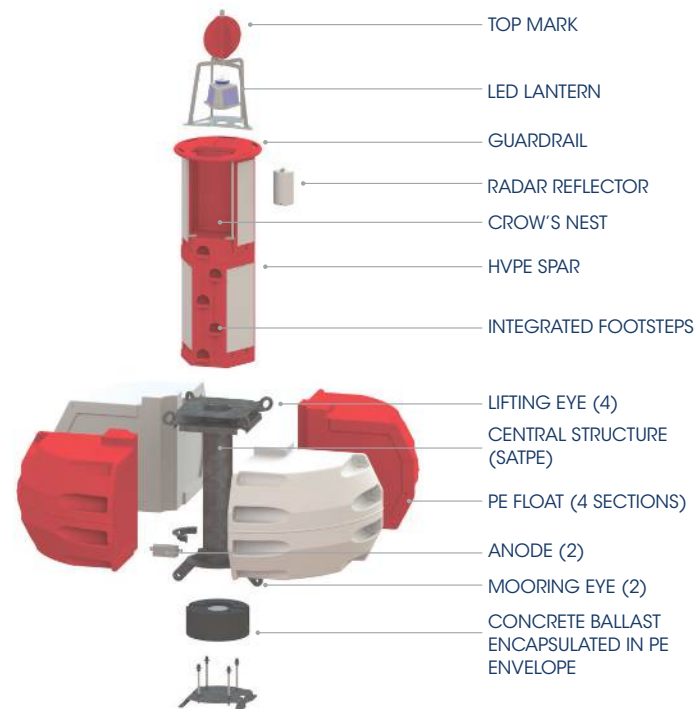
POLYETHYLENE BUOY

GBM-3000

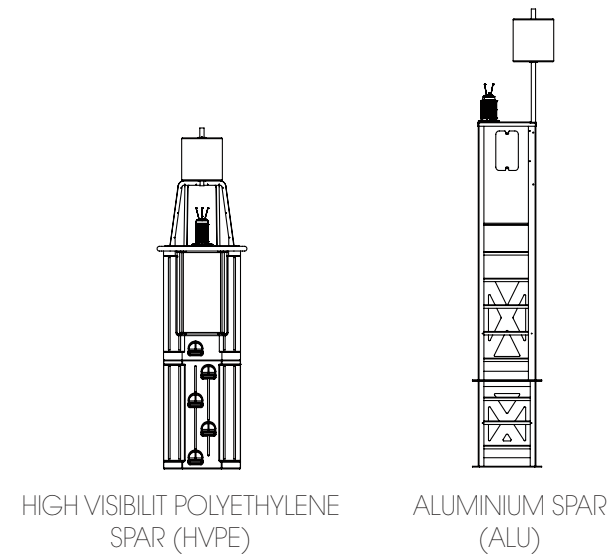
Diameter: 3.0m
Volume: from 7.5 to 12m³
For exposed sites

With its modular design, the GBM-3000 can match various applications in harsh marine environment. The combination of its 3 main elements is custom-made according to site conditions and client requirements.

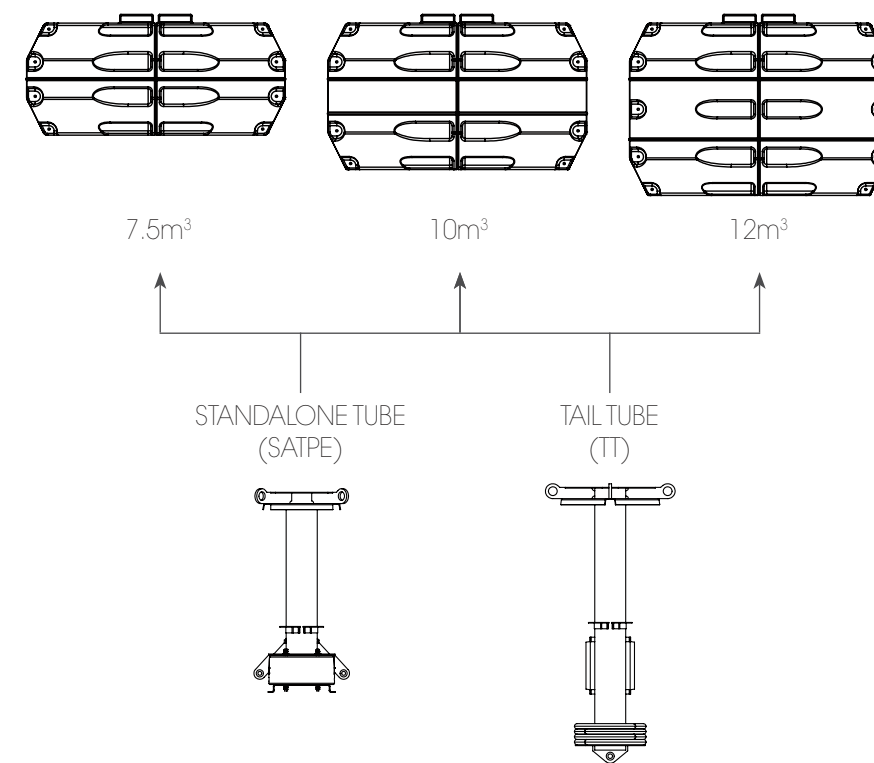
- 4 segments of float in virgin polyethylene, UV stabilised and precompounded to reduce colour ageing, with standard wall thickness 12mm (higher available upon request), and expanded polystyrene (EPS) foaming
- High Visibility Polyethylene (HVPE) or Aluminium (ALU) spar
- 2 types of central structure in galvanized steel: standalone tube with a concrete ballast directly integrated and encapsulated in a polyethylene envelope (SATPE), or standard tail tube (TT)



2 types of spar, to offer enhanced visibility and match all focal plane requirements



3m diameter float with 3 different volumes available to withstand all site conditions



the standalone tube (for 7.5m³ float only) enables the buoy standing upright in service yards or vessels

2 TYPES OF SPAR

HVPE (High Visibility PE)
2.7m high

ALUMINIUM
Adjustable from 3 to 4m to comply with focal plane requirements

3.0M DIAMETER FLOAT

7.5 or 10 or 12m³ volume
Filled with EPS foam

2 TYPES OF STEEL CENTRAL STRUCTURE

SATPE: standalone tube with concrete ballast directly integrated in PE envelope

TT: standard tail tube

ADDITIONAL CHARACTERISTICS

Reserve buoyancy (m³)
5.9 to 10.2

Focal plane (m)
4 to 6.2

Draught (m)
1.1 to 4.3

Overall height (m)
6 to 11.6

Ballast (kg)
390 or 520

Total weight (kg)
1,300 to 2,100

Visibility (m²)
5.2 minimum

Recommended mooring
Ø 35mm open link chain (2 points for SATPE)

Recommended lantern
Self-contained LED lantern or with separate solar generator, with range from 4 to 10 NM